

EverNew[®]

Railing, Porch & Decking Systems

Welcome to the Decking & Railing Collection.

For more than 100 years, homeowners and building professionals have trusted CertainTeed for the highest quality building products, and continually setting the standards for exciting innovations in style and performance.

Today, that spirit of innovation comes to life in the CertainTeed Decking & Railing Collection with the industry's leading array of colors, styles, and performance. The EverNew® railing product lines offer a combination of superior quality and style that has become the premier choice of homeowners and building professionals.

The comforts of home are no longer defined by four walls. Outside living spaces are “in” as porches, yards and gardens are transformed into beautiful open-air rooms. If you're longing for the joys of fresh air living, CertainTeed can help. Our Living Spaces® exterior products suite, including siding, soffit and accessories, porch, decking, railing, fence and roofing products, offers everything you need to create and define your own great outdoors.



Kingston with traditional balusters in White

Vinyl Railing Collection

Oxford Routed Railing System 6

Oxford Bracketed Railing System 10

Kingston Bracketed Railing System 14

Vinyl Railing Accessories 18

Decking

EverNew Vinyl Decking 22

Porch Posts, Wraps & Columns

Structural Porch Posts 24

Structural Columns..... 24

Product Matrix 26

Colors throughout this brochure are simulated. Consult product samples before making final selection.



On Cover

Siding: Restoration Classic D4" in Pacific Blue

Railing: Kingston with square balusters in White

Decking: EverNew vinyl deck in white

Our commitment to safety

CertainTeed products meet stringent requirements for quality and performance. Safe, secure and durable, our railing and deck systems are engineered to provide years of worry-free enjoyment.

Performance that lasts

EverNew® railing products are designed to maintain their integrity over time. Products made of wood may meet code when they're brand new, but can weaken over time — especially after prolonged exposure to the elements. This is an important concern if you're installing railing as a safety barrier on balconies and stairs.

EverNew ensures long-lasting performance by building security into every railing system. Our railing features heavy-duty construction for enduring strength. When it comes to rail-to-post connections, simply using plastic brackets isn't enough. EverNew bracketed vinyl railing offers aluminum brackets concealed with molded vinyl covers for critical protection from the elements.

Meeting the standards of the ICC

The ICC (International Code Council) is an independent, nonprofit organization responsible for the development of national model construction codes. The ICC Evaluation Service, Inc. (ICC-ES) is the leading source of technical information on building codes, products and technology in the United States. ICC-ES conducts technical evaluations of building products, components, methods and materials. Building industry professionals look to ICC-ES evaluation reports for evidence that products and systems meet code requirements. EverNew railing systems comply with the standards established by the ICC. Oxford and



Kingston in White with square balusters

Kingston vinyl railing systems have undergone third party testing as designated respectively in reports CCRR-0187 and CCRR-0211.

Details make the difference

EverNew railing offers everything you need to install with confidence:

- ◆ Heavy-duty rails offer exceptional durability
- ◆ Secure rail-to-post connections
- ◆ Aluminum rail mount brackets provide added strength
- ◆ Concealed hardware won't rust or corrode
- ◆ Railing heights approved for deck, balcony, porch and stair applications
- ◆ Features "on-center" post spacing
- ◆ Class A flame-spread rating for a safer outdoor environment
- ◆ Outstanding warranty coverage with exclusive SureStart™ parts and labor protection
- ◆ Splinter-free surfaces
- ◆ Easy to install and clean
- ◆ Virtually maintenance-free; no painting or staining
- ◆ Safe and secure
- ◆ Consistent quality and appearance

CERTAINTEED EVERNEW®: YOUR ONE-STOP SOURCE FOR QUALITY PRODUCTS

EverNew railing is designed to keep its good looks for years to come, without a lot of maintenance. It won't warp, rot, split or corrode, and it never needs staining or painting.

With EverNew, you can rest assured that years from now our products will perform as beautifully and securely as the day they were installed. CertainTeed stands behind the EverNew decking and railing products with exceptional warranty protection, for your added assurance of quality and safety.



All of CertainTeed's decking and railing products are covered by SureStart protection for five years. Under this warranty feature, CertainTeed, at no charge, will repair or replace, at its option, any product proven to be defective during the SureStart period (see actual warranty for details).

Sustainability for a lifetime

CertainTeed respects the environment through the responsible development of sustainable building products and systems. CertainTeed EverNew railing products give building professionals and homeowners confidence that the homes they design, build, maintain, and occupy are made with sustainable materials that enhance every project's performance and beauty.



For more information on CertainTeed's Life Cycle Assessment Report go to www.certainteed.com/life-cycle-assessment

Railing colors

EverNew's colors are designed to complement almost any deck color. EverNew has a railing color for your space. No matter what deck material or color you use, EverNew® has a railing to coordinate.



The benefits of vinyl

- ◆ Durable construction – weatherable vinyl exterior with aluminum reinforced rails offers low maintenance
- ◆ Precision-fit components provide a snug, secure fit with fast and easy installation
- ◆ Safe and sound metal-to-wood and metal-to-metal rail-to-post connections
- ◆ Convenient packaging in complete section boxed kits
- ◆ Wide variety of accessories, including posts, caps, and post trims that coordinate with all railing systems

Rest-assured features

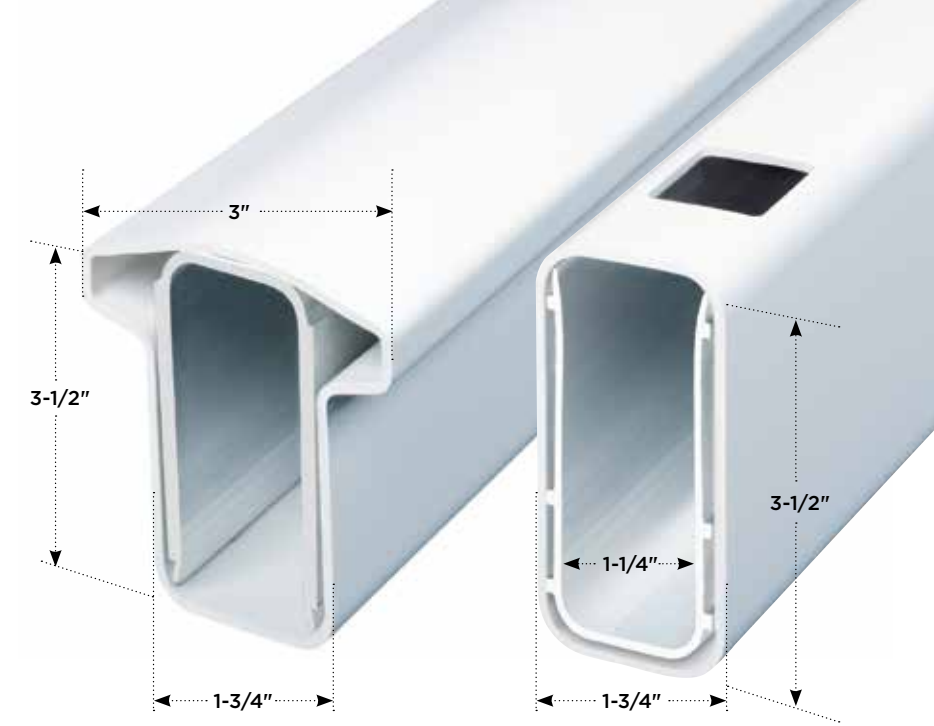
pressure-treated wood	VS.	EverNew® railing and deck systems
Short lifespan		Exceptional durability
Inconsistent quality		Consistent quality
Very high maintenance		Low maintenance
Prone to rot and decay		No rot or decay
Splinters, cracks, knots		No splinters, cracks or knots
Toxic chemical preservatives		No toxic chemical preservatives
Class C fire rating		Class A flame-spread rating



Pressure-treated wood



EverNew vinyl



For safe, secure vinyl railing applications, there's no better choice than the Oxford routed system. The routed Oxford system features a unique internal rail-to-post connection and hidden hardware, so there are no unsightly brackets to detract from the look of the railing. The aluminum reinforced rail connects to a sturdy galvanized post support kit inside the routed post, for a completely concealed metal-to-metal connection.

- ◆ "T"-rail top and 2 x 4 bottom rail with hidden hardware system
- ◆ Aluminum reinforced rail connects to sturdy galvanized steel post support kit inside the routed post
- ◆ Posts routed specifically for all post applications
- ◆ Features "on-center" post spacing
- ◆ Suitable for residential and commercial applications - including multifamily and over three story installations
- ◆ Canadian railing code compliant up to 8' span for exterior guard rail system for one- and two-family dwellings
- ◆ Independent tested as designated in report CCRR-0187
- ◆ Meets IBC standards for building safety
- ◆ Class A flame-spread rating
- ◆ Lifetime limited transferable warranty with 5-year SureStart™ protection
- ◆ Choice of three baluster styles: square, classic, and round aluminum
- ◆ Available in two heights and three lengths
- ◆ Available in white



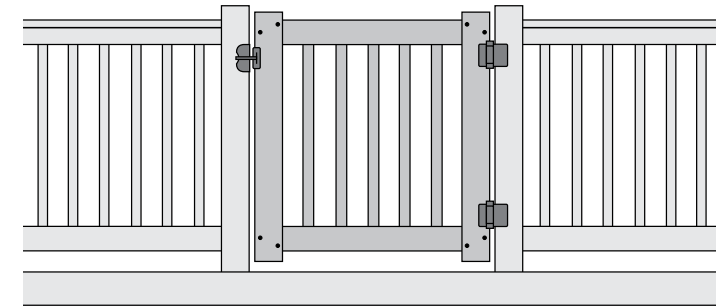
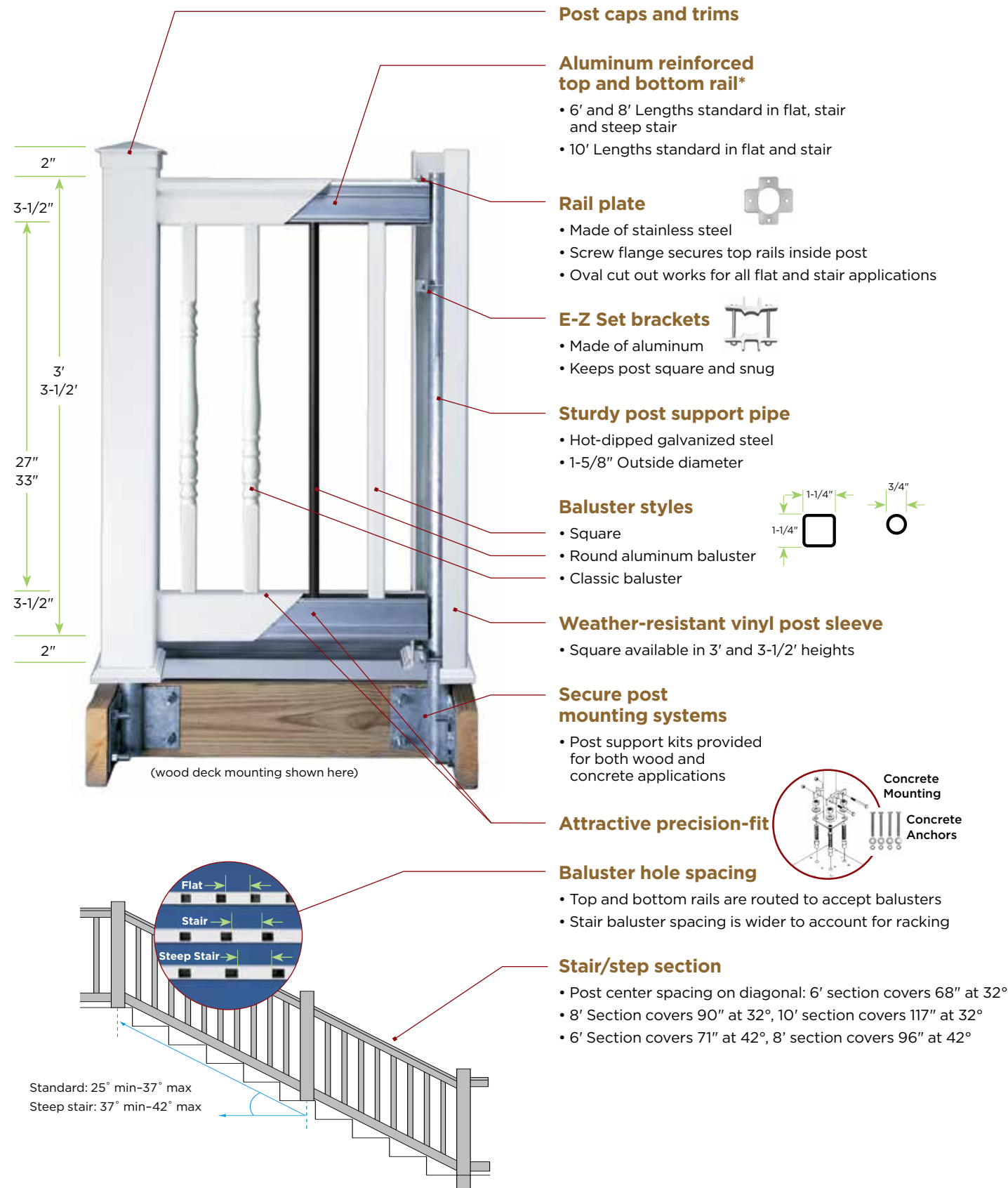
Oxford with classic balusters in White



White



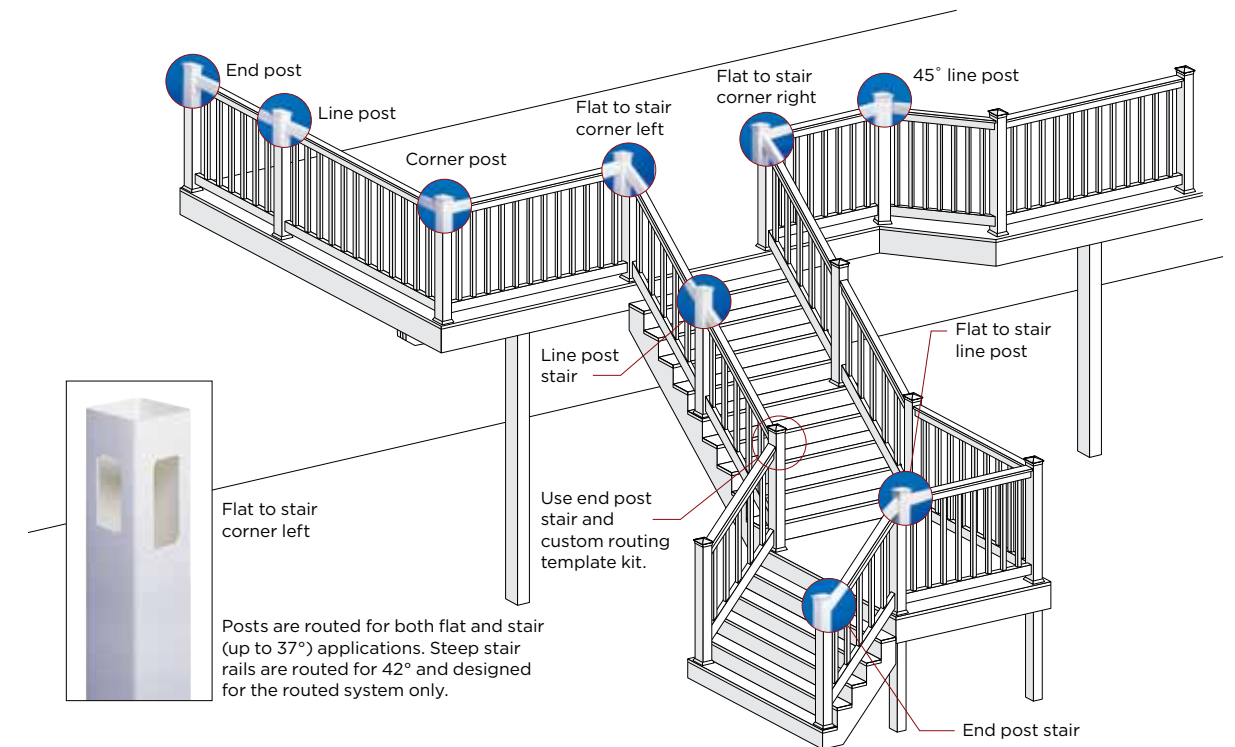
Oxford in White with round aluminum balusters



Oxford Gate Kit

- Improved design for enhanced performance and easier ordering
- Heavy duty internal aluminum frame
 - Stainless steel fasteners
 - Features 2x4 rails
 - High quality gate hardware
 - Available in both heights, and square, classic and aluminum balusters
 - Self closing hinges
 - Easy to assemble

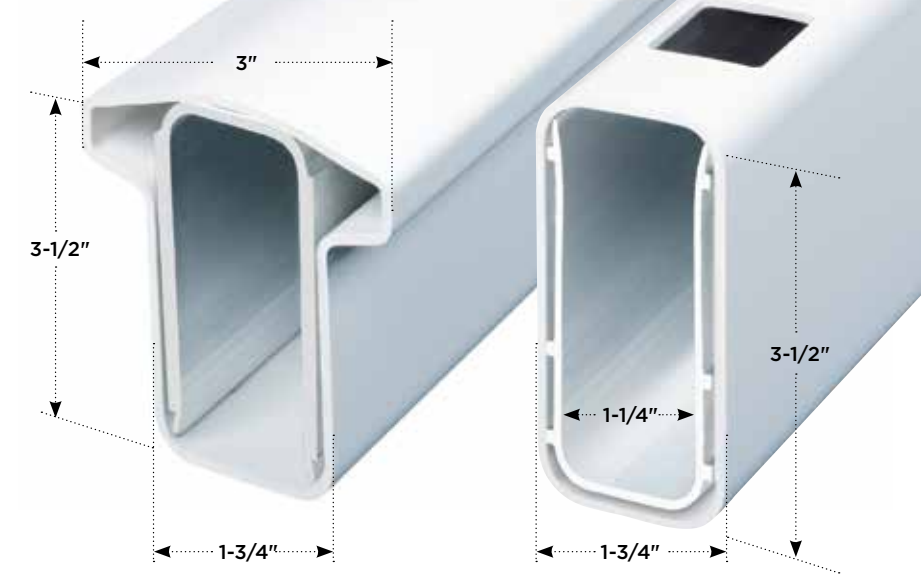
Routed Post Options



*Refer to product matrix for actual product specifications.

Oxford

VINYL BRACKETED RAILING SYSTEM



Designed for use with existing wood posts, the Oxford bracketed railing system offers everything you need for a safe and secure railing installation. Oxford goes the extra mile with standard features like concealed aluminum rail mount brackets and stainless steel screws, for long-lasting strength and peace of mind.

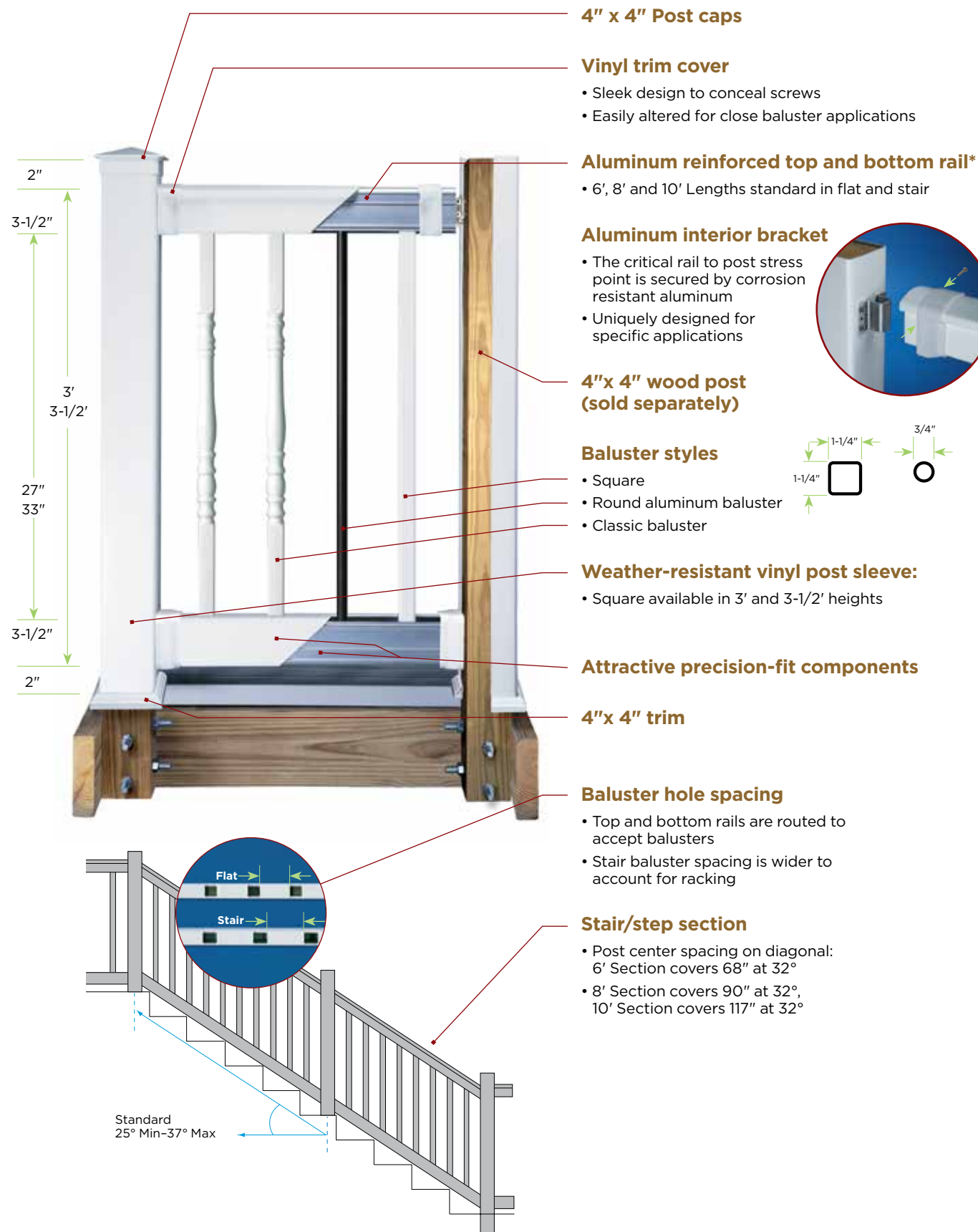
- ◆ "T"-rail top and 2 x 4 bottom rail for sleeve-over installations
- ◆ Aluminum rail mount brackets provide a safe and secure, metal-to-metal rail-to-post connection for greater strength and longevity
- ◆ Features "on-center" post spacing
- ◆ Suitable for residential and commercial applications - including multifamily and over three story installations
- ◆ Canadian railing code compliant up to 8' span for exterior guard rail system for one- and two-family dwellings
- ◆ Independent tested as designated in report CCRR-0187
- ◆ Meets IBC standards for building safety
- ◆ Class A flame-spread rating
- ◆ Lifetime limited transferable warranty with 5-year SureStart™ protection
- ◆ Choice of three baluster styles: square, classic, and round aluminum
- ◆ Available in two heights and three lengths
- ◆ Available in white



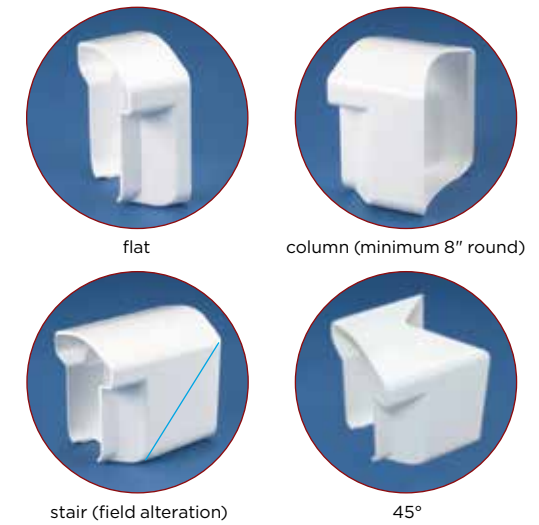
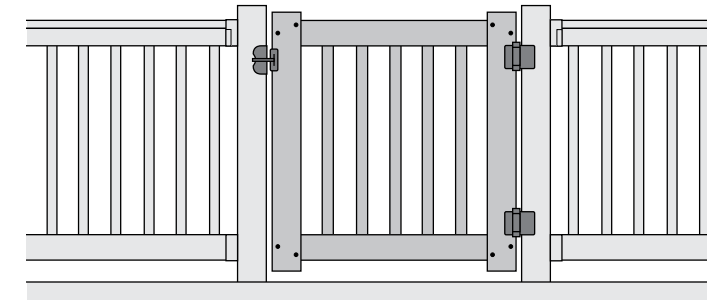
Oxford in White with round aluminum balusters



White



Oxford Bracket Options - Uniquely designed for specific applications



Oxford Gate Kit

Improved design for enhanced performance and easier ordering

- Heavy duty internal aluminum frame
- Stainless steel fasteners
- Features 2x4 rails
- High quality gate hardware
- Available in both heights, square, classic and aluminum balusters
- Self closing hinges
- Easy to assemble

Secure Connection

Aluminum brackets and corrosion-resistant stainless steel screws complete the connection between post and rail to provide a strong and reliable system.

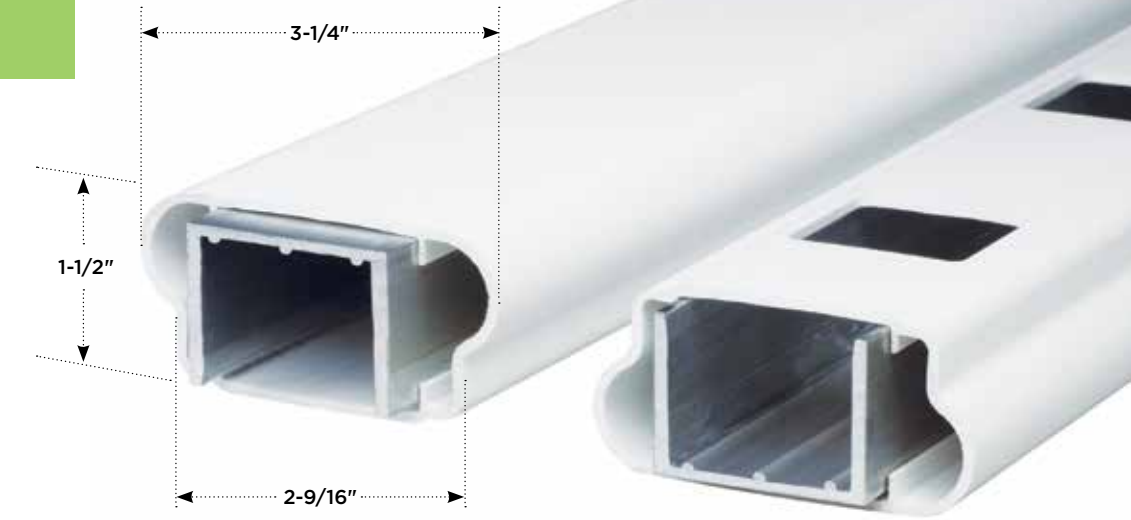


Oxford with classic balusters in White

*Refer to product matrix for actual product specifications.

Kingston

VINYL RAILING SYSTEM



Kingston offers premium features you'd expect to find on higher-end systems, including high-quality aluminum rail mount brackets for superior safety and security. Secured by provided stainless steel fasteners, the aluminum brackets are completely concealed by molded vinyl covers, so you never have to worry about rust or corrosion.

- ◆ Classic bread-loaf rail design (on both top and bottom rails) for sleeve over applications
- ◆ Aluminum rail mount brackets provide a safe and secure metal-to-metal, rail-to-post connection for greater strength and longevity
- ◆ Unique molded vinyl bracket covers designed for flat, stair, column, 45° and 22-1/2° applications
- ◆ Features "on-center" post spacing
- ◆ Suitable for one- and two-family dwellings and townhouses not more than three stories high
- ◆ Canadian railing code compliant up to 8' span for exterior guard rail system for one- and two-family dwellings
- ◆ Independent tested as designated in report CCRR-0211
- ◆ Meets IRC standards for building safety
- ◆ Class A flame-spread rating
- ◆ Lifetime limited transferable warranty with 5-year SureStart™ protection
- ◆ Choice of three baluster styles: square available in all three colors, traditional in white and almond, and round aluminum
- ◆ Available in two heights and three lengths
- ◆ Available in three colors: white, almond and clay



Kingston with traditional balusters in White



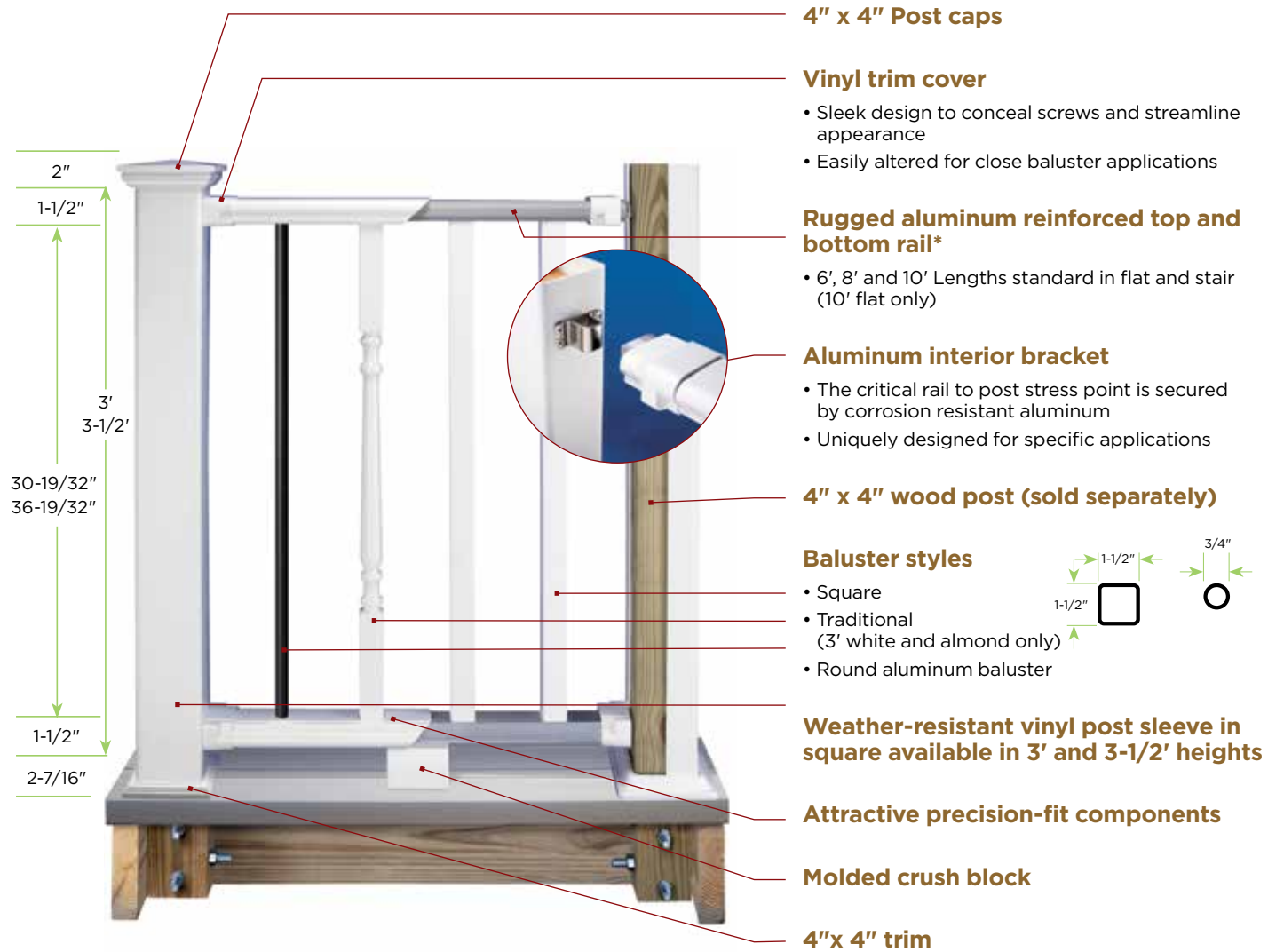
White

Almond

Clay

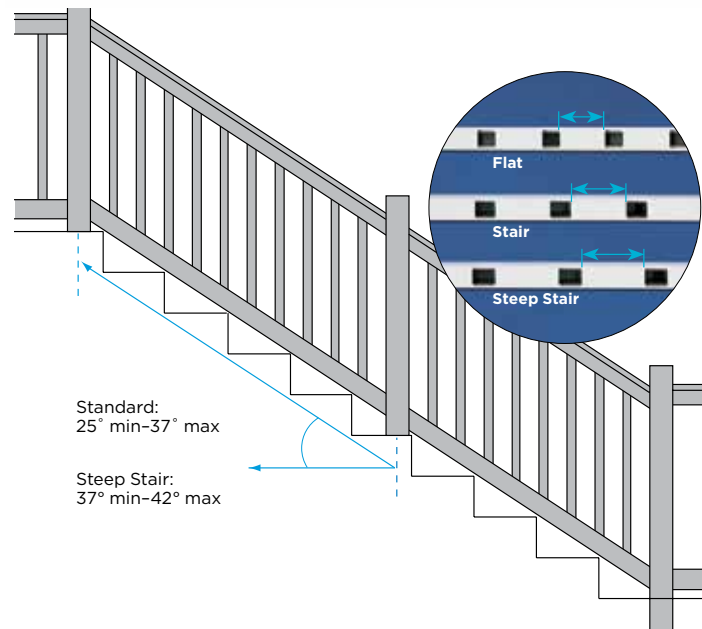
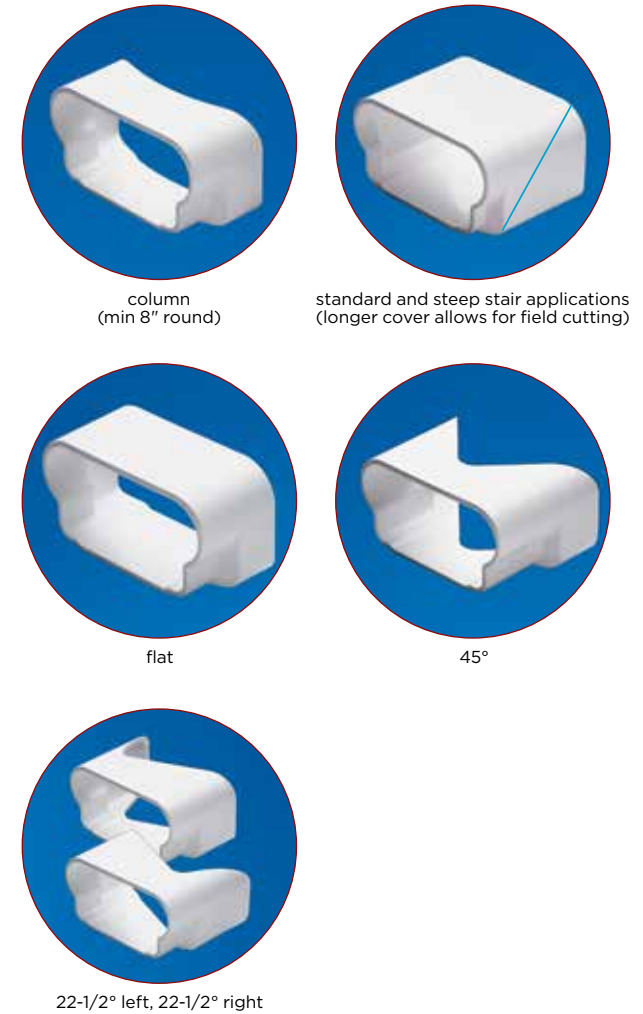


Kingston with square balusters in White



Kingston in White with round aluminum balusters

Trim covers



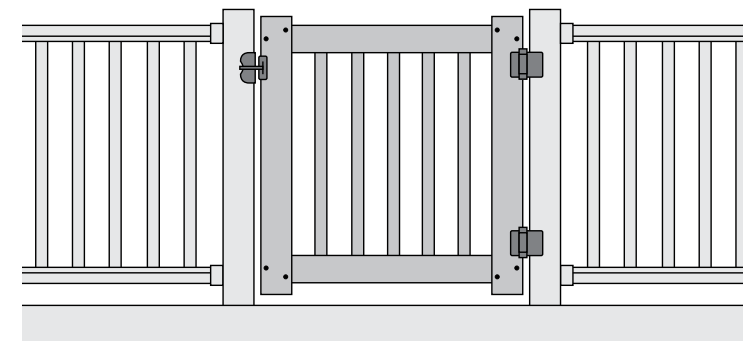
Baluster hole spacing

- Top and bottom rails are routed to accept balusters.
- Stair baluster spacing is wider to account for racking.

Stair/step section

- Post center spacing on diagonal: 8' Section covers 95" at 32°

*Refer to product matrix for actual product specifications.



Kingston Gate Kit

- Designed for enhanced performance and easy ordering
- Heavy duty internal aluminum frame
 - Stainless steel fasteners
 - Features 2" x 3-1/2" rails
 - High quality gate hardware
 - Available in all colors, all heights and all balusters (traditional style available in white and almond only)
 - Self closing hinges
 - Easy to assemble

Square post and caps

Vinyl blank posts available in...
4"x4": 38", 44", 48", 51-1/2", 107"
5"x5": 107"



Square post



Gothic cap



Flat cap internal



Flat cap external



New England cap



Ball cap



Flat Pyramid cap (6"x 6" only)

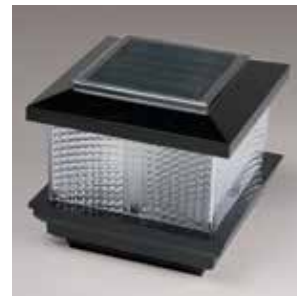
Solar Post Caps

These solar powered lights have extremely efficient LED circuits powered by two rechargeable batteries. They are easy to install, are low maintenance, environmentally friendly and perfect for remote locations as they require no electricity. Solar post caps will fit 4"x 4" and 5"x 5" posts.

Batteries are included with all solar caps.



white



black

Post trim

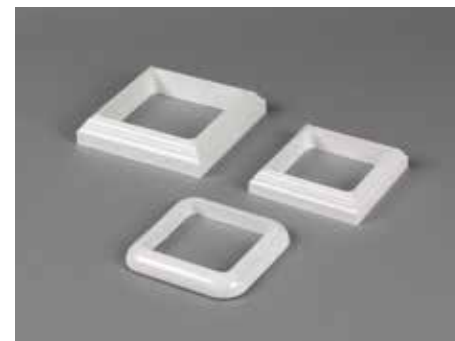
Post trim can be used for finishing vinyl posts.**

**Not all accessories available in all colors. Refer to product catalog for colors and style availability.



4-piece post trims

Available in 4"x 4" and 5"x 5" (matches porch post trims)
Available in 6"x 6" (Adjusts to fit 4" to 6-1/2" posts)



1-piece post trims (Available in 4"x 4" and 5"x 5")

2-piece post trims (Available in 4"x 4")

Post Support Kits (at a glance)

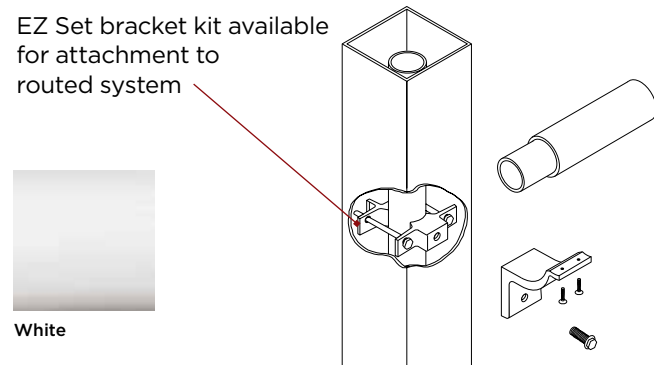
Post support kits provide safe and secure mounting for railing systems.

- Concrete applications
- Wood applications
- Routed and bracketed systems

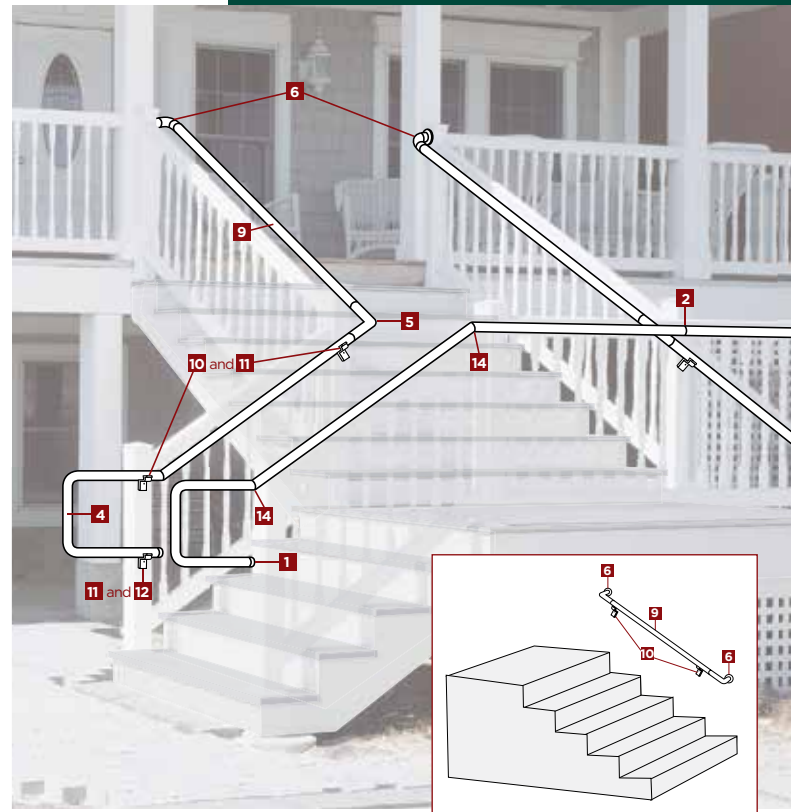
"Original" Post Support Kit	EZ Set II Bracketed Post Support Kit	The Mount Post Support Kit	
For Routed System	For Bracketed Systems		
Oxford	Oxford Kingston	Oxford Kingston	
Wood & Concrete	Concrete	Wood or Concrete	
			

Aluminum Handrail Component System

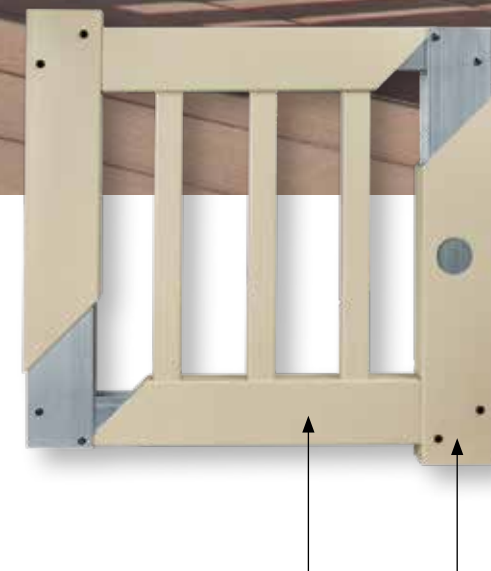
- ◆ Complies with ADA (Americans with Disabilities Act) requirements for grippable handrails
- ◆ Ideal for use with EverNew railing systems
- ◆ Installs easily on site with no preformed fittings
- ◆ Unique adjustable joiners accommodates any transition - 0° to 90° bends
- ◆ Aluminum construction reduces bowing and provides enduring strength
- ◆ Safe for stair and ramp applications
- ◆ Continuous handrail runs
- ◆ 1-1/2" diameter gripping area
- ◆ Virtually maintenance free
- ◆ Lifetime limited warranty
- ◆ Functional finishing touches: post and wall returns, end caps, return loops and a convenient straight joiner
- ◆ EZ Set bracket kit available for attachment to routed system



Note: Handrail depicted is not free standing and must be anchored to walls or guardrail using handrail bracket assembly (74028/74029). Space a maximum of 6' on center and as close as possible to both sides of any joint. (ADA compliant at 6ft spans)



- 1-1/2" diameter end cap
- Straight aluminum joiner
- Straight wall return
- 1-1/2" OD ADA 180° return loop
- 1-1/2" OD - 90° corner - includes two 3" aluminum joiners
- 1-1/2" OD - 90° wall return - includes 3" aluminum joiner
- 1-1/2" OD x 80" handrail
- 1-1/2" OD x 104" handrail
- 1-1/2" OD x 120" handrail
- Handrail bracket assembly
- Handrail EZ Post attachment kit
- Handrail joint ring
- Inside corner bracket
- Adjustable aluminum external joiner



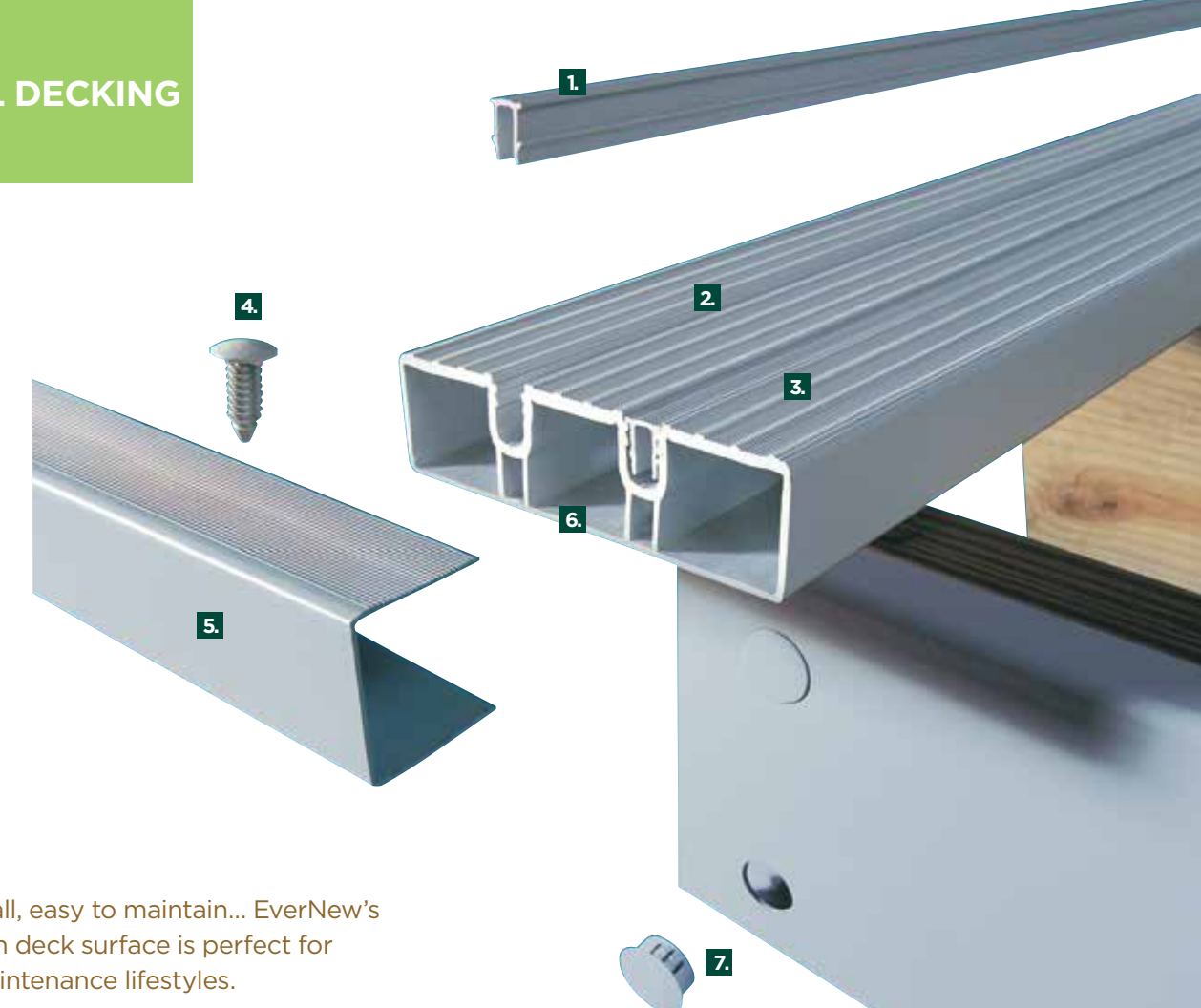
EverNew Gate Kits

EverNew gates feature a heavy-duty internal aluminum frame for sturdy construction that's built to last and stainless steel fasteners to prevent corrosion.

- ◆ Available for Oxford and Kingston railing systems
- ◆ Kit includes all parts needed to build a railing gate up to 60" wide
- ◆ Aluminum reinforced uprights and rectangular rails
 - Balusters
 - Upright caps
 - Stainless steel screws
 - Black nylon gate hinges (self closing)
 - Latch



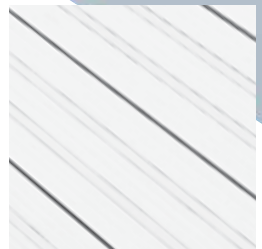
EverNew Vinyl Decking in Gray



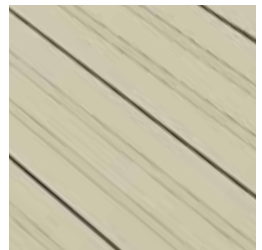
Easy to install, easy to maintain... EverNew's easy to clean deck surface is perfect for busy, no-maintenance lifestyles.

- ◆ Excellent color retention
- ◆ Cool to the touch - Barefoot Friendly™
- ◆ Easy to clean, non-porous vinyl surface
- ◆ Will not stain from spills
- ◆ Available in 12', 16' and 20' lengths
- ◆ No visible screws or exposed hardware
- ◆ Independent tested as designated in report CCRR-0219
- ◆ Lifetime limited transferable warranty with 5-year SureStart™ protection

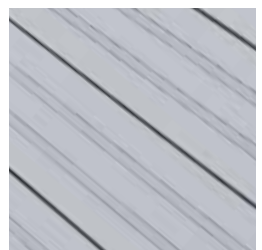
1. Snap-in fill pieces hide fasteners 12', 16' and 20' lengths
2. Easy-to-install planks screw directly to joists and prevent squeaking
3. Safe, non-slip, raised ridge tread
4. End cover fastener
5. End cover 12' lengths
6. Rigid multi-ribbed profile spans 24" joist spacing (16" recommended)
7. 3/4" fascia cover plug



White



Almond



Gray

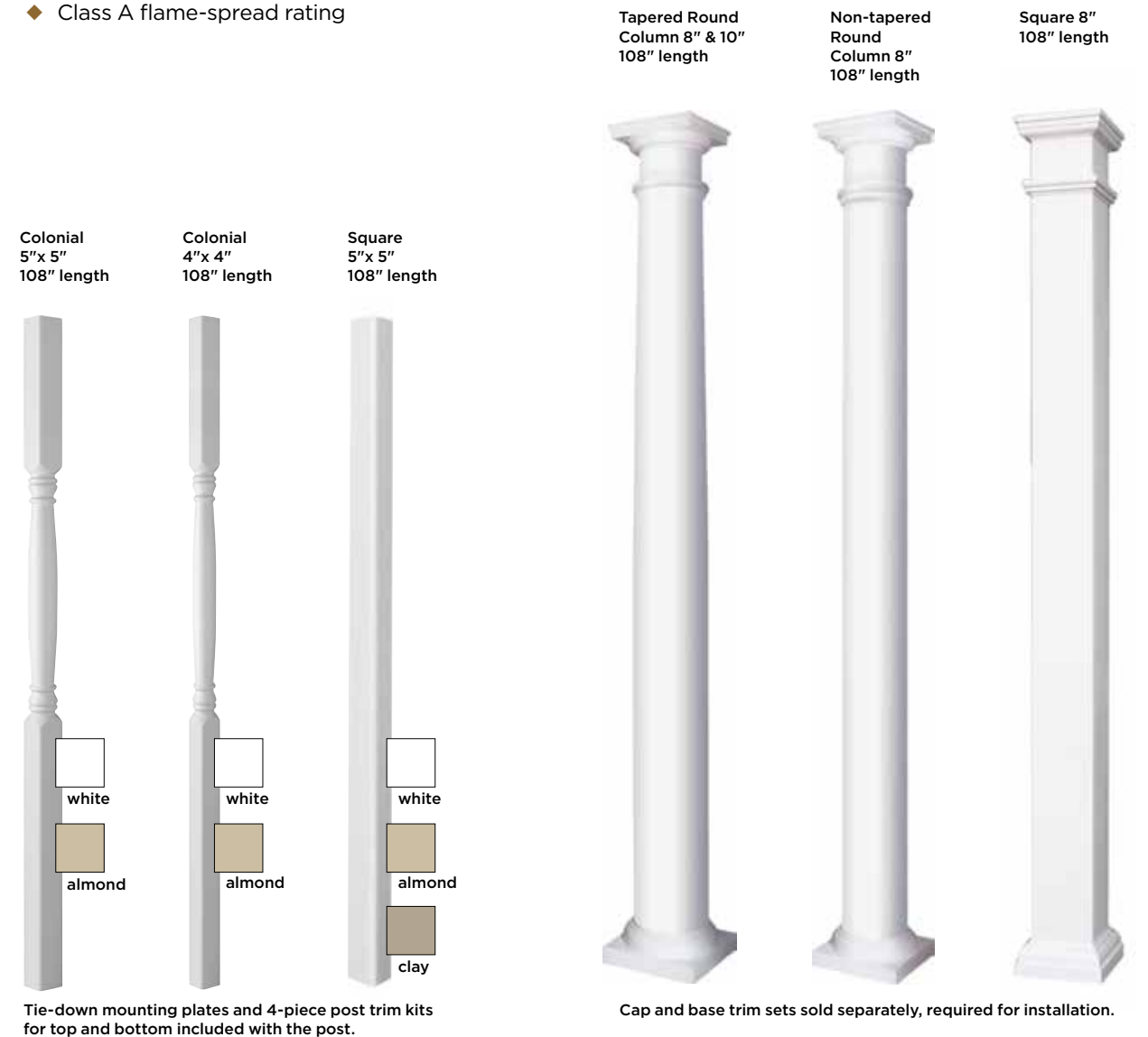
EverNew® Vinyl deck boards and fascia

	Actual Width	Actual Thickness	Available Lengths
2x6 Deck boards	5-1/2"	1-1/2"	12', 16', 20'
Fascia	1-1/2", 3"	7/8"	8'



CertainTeed Structural Porch Posts, Columns and finishing accessories complement any project, no matter which railing style or system is chosen.

- ◆ Pivoting mounting plate for easy installation of porch post
- ◆ Aluminum reinforced for rigidity and strength
- ◆ Load bearing
- ◆ Tie-down connection of porch post eliminates need for separate hurricane tie-down kit
- ◆ No overhead jacking required
- ◆ Class A flame-spread rating



EverNew® Deck, Railing, Porch Posts, Wraps & Columns (at a glance)

																	COLOR AVAILABILITY					
Railing Systems	BALUSTER SIZE	BALUSTER STYLE	BALUSTER SPACING	SECTION WIDTH (FLAT NOMINAL)	SECTION WIDTH (FLAT ACTUAL)	SECTION HEIGHTS	RAILS (FLAT SECTIONS)	TOP RAIL STYLE	BOTTOM RAIL STYLE		REINFORCEMENT	RAIL-TO-POST CONNECTION	CODE*	APPLICATION*	WARRANTY	SURESTART™	VALUE	WHITE	ALMOND	CLAY **	GRAY	
VINYL	Oxford	1-1/4" x 1-1/4" 3/4" diameter	Classic, Square, Round aluminum	3-3/8" Flat Aluminum baluster: 3-5/8"	72" 96" 120" ▲◆	71-1/2", 95-1/2", 119-1/2"	3' and 3-1/2'	3" x 3-1/2" x 71-1/2", 95-1/2" or 119-1/2" "T" Shaped Top Rail	"T"- Rail	2 x 4		Aluminum Top & Bottom	Routed post option or aluminum brackets with molded covers for flat, stair, column and 45°	CCRR-0187	Suitable for residential and commercial applications - including multi-family and over 3-story installation	Lifetime Limited & Transferable	5-Year	\$ - \$\$\$\$	●	●	●	●
																			●	●	●	●
VINYL	Kingston	1-1/2" x 1-1/2" 3/4" diameter	Traditional, Square, Round aluminum	3-7/16" Flat Aluminum baluster: 3-5/8"	72" 96" 120" ▲	68-1/2", 92-1/2", 116-1/2"	3' and 3-1/2'	3-1/4" x 1-1/2" x 68-1/2", 92-1/2" or 116-1/2" Top & Bottom	Top Round	Top Round		Aluminum Top & Bottom	Aluminum brackets with molded covers for flat, stair, steep stair, column, 45° and 22-1/2°	CCRR-0211	Suitable for 1 and 2-family dwellings and townhouses not more than 3-stories in height	Lifetime Limited & Transferable	5-Year	\$-\$	●	●	●	●
																			●	●	●	●

Measurements for all railing systems are from center to center of post. Note actual rail lengths.

*Vinyl railing is Canadian railing code compliant up to 8' span for exterior use guard rail system for 1 and 2 family dwellings.

▲ Not available for aluminum infill

◆ Available in white only

** ColorLast® Dark Color Fade Protection - Our acrylic formulation provides superior protection from the harsh rays of the sun, resulting in richer color that retains its vibrant hue for years to come. ColorLast is offered in Clay.

* Refer to code report for detailed application information and conditions of use.

											COLOR AVAILABILITY			
Porch Posts, & Columns	DIMENSION	LENGTH	LOAD BEARING	UPLIFT	FINISH	ALUMINUM REINFORCEMENT	INCLUDES MOUNTING PLATE	WARRANTY	SURESTART™		WHITE	ALMOND	CLAY **	GRAY
VINYL	Colonial Post	5"x 5"	108"	5000 lbs.	1750 lbs.	Smooth	yes	yes	Lifetime Limited Transferable	5-Year	●	●	●	●
	Colonial Post	4"x 4"	108"	2600 lbs.	1750 lbs.	Smooth	yes	yes	Lifetime Limited Transferable	5-Year	●	●	●	●
	Square Post	5"x 5"	108"	5000 lbs.	1750 lbs.	Smooth	yes	yes	Lifetime Limited Transferable	5-Year	●	●	●	●
	Square Column	8"x 8"	108"	18000 lbs.	1585 lbs.	Smooth	yes	yes	Lifetime Limited Transferable	5-Year	●	●	●	●
	Tapered Round Column	8", 10"*	108"	18000 lbs.	1585 lbs.	Smooth	yes	yes	Lifetime Limited Transferable	5-Year	●	●	●	●
	Non-Tapered Round Column	8"	108"	18000 lbs.	1585 lbs.	Smooth	yes	yes	Lifetime Limited Transferable	5-Year	●	●	●	●

* 8" Tapered Round Column - 7-3/4" tapers to 6-1/8", 10" Tapered Round Column - 9-3/4" tapers to 8-1/8" (taper starts 48" from bottom)

											COLOR AVAILABILITY								
Decking	BOARD SIZE (ACTUAL)	BOARD SPACING	BOARD SIZE	BOARD LENGTH (NOMINAL)	BOARD SURFACE	FASCIA SIZE (ACTUAL)	FASCIA LENGTH	FASCIA SURFACE	JOIST SPACING		CODE	APPLICATION	WARRANTY	SURESTART™	WHITE	ALMOND	CLAY **	GRAY	
VINYL	EverNew Vinyl Decking	1-1/2" x 5-1/2"	1/8"	2" x 6"	12', 16', 20'	Raised Ridge Tread	7/8", 3", 1-1/2"	8'	Smooth	16"		CCRR-0219	Decks, docks and porches	Lifetime Limited	5-Year	●	●	●	●

CertainTeed products are designed to work together and complement each other in color and style to give any home a beautiful finished look.



POLYMER SHAKES & SHINGLES



VINYL SIDING



INSULATED SIDING



SOFFIT



PVC EXTERIOR TRIM & BEADBOARD



VINYL CARPENTRY® TRIM



STONE



HOUSEWRAP



ROOFING AND VENTILATION



DECKING AND RAILING



MOLDED FENCE



EXTRUDED FENCE



facebook.com/certainTeed



[YouTube youtube.com/certainTeedsaintgobain](https://youtube.com/certainTeedsaintgobain)



CertainTeed

CEILING • DECKING • FENCE • GYPSUM • INSULATION • RAILING • ROOFING • SIDING • TRIM
20 Moores Road, Malvern, PA 19355 Professional: 800-233-8990 Consumer: 800-782-8777 certainTeed.com

©01/23 CertainTeed, Printed in the USA, Code No. 03-08-02-US-EN